

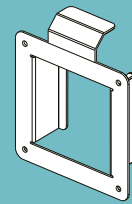
AOC Bracket VESA 75

Perfect solution for PC mounting
on back of height adjustable base!

Clear Vision

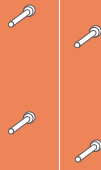
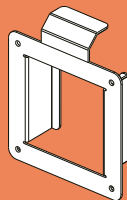
The AOC VESA75 bracket allows an easy installation of a small form factor device to any AOC monitor of the 75 series with height-adjustable base (except 27" models).

The device can be mounted directly to the bracket (as the below).



⚪ X 4

⊙ X 4



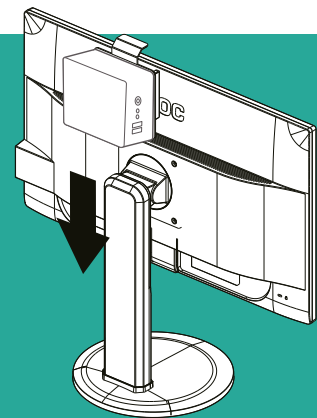
STEP 1:

Assembly bracket with VESA (100x100mm) compatible device:

Assembling VESA75 bracket with the device, aligning the positions of the holes and using the screws supplied to screw the two together.

STEP 2:

Sliding VESA75 with the mounted device into the top of the AOC height-adjustment stand.



Features

VESA :100 x 100

Max. PC weight : 2Kg

Content of the package: Screws hardware (x4),
Screws (x4), OSG (x1)