



REAL-TIME TEMPERATURE AND HUMIDITY MONITORING

The environmental sensor allowing users to monitor the temperature and humidity

Ideal for the installed environment, the Environmental Sensor Series provides real-time temperature and humidity information for UPS and PDU/ATS. The environmental sensors can be integrated with products by connecting the universal port of the remote management card to the data port of the environmental sensor. By connecting to remote management card, the environmental sensors support web management interface, automatic event notifications and sensor-location display via web browsers.

COMPATIBLE PRODUCTS

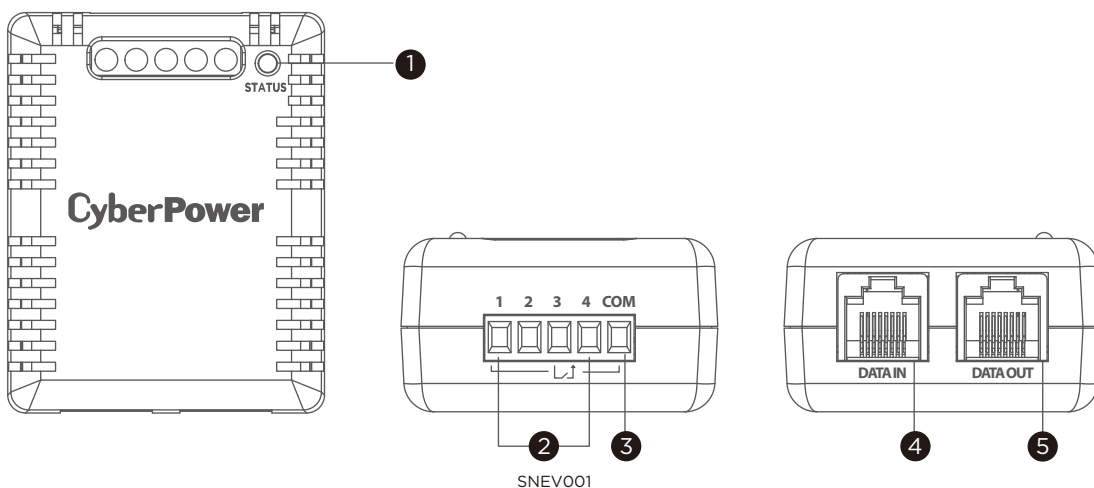
- Remote Management Card
- Monitored PDU
- Switched PDU
- Metered-by-Outlet PDU
- Switched Metered-by-Outlet PDU
- Switched ATS

SERIES FEATURES

- Compatible with RMCARD
- Environmental Sensor
- Automatic Event Notifications
- Daisy Chain Function
- Web Management Interface
- Sensor Location Display
- RoHS Compliant

PRODUCT CALLOUTS

- 1 . Status LED
- 2 . Input Dry Contact 1-4
- 3 . Common Connection
- 4 . RJ45 Port (Connect to RMCARD/PDU or previous SNEV001)
- 5 . RJ45 Port (Connect to next SNEV001)



TECHNICAL SPECIFICATIONS

Model Name	SNEV001
Management & Communications	
Connector Type	RJ45 x 2 (Daisy Chain x 8 Max.)
Input Dry Contact	4
Measurement Range & Accuracy	
Temperature Measurement (°C)	-10 - 70
Temperature Accuracy (°C)	± 0.5
Relative Humidity Measurement (Non-condensing) (%)	10 - 90
Relative Humidity Accuracy (Non-condensing) (%)	± 2%
Shipping Dimensions	
Dimensions (WxHxD) (mm.)	168 x 58 x 164
Weight (g.)	268
Certifications	
Certifications*	CE, FCC Class B, EAC
RoHS	Yes

*Certifications may vary according to different regions. Visit www.cyberpower.com for more information.
 #All specifications are subject to change without notice.